

XUR2 Thermal overload relay



XUR2-32



XUR2-93

Applicable scope

Type XUR2 thermal overload relay used to AC Current 50Hz or 60Hz, Voltage up to 690V.

And suitable for three-phase or single-phase motor applications.

• **Provider** class 10 protection and main functions including: Motor protection against overload and phase failure. Automatic and manual reset both included test and stop functions.

• Conform to standard :IEC 60947-4-1 ,IEC 60947-5-1.

Technical features

Type number	XUR2
Rated current	XUR2-32 0.1-32A XUR2-93 23-93A
Rated insulated voltage V	690V
Rated impulse withstand voltage Uimp V	60000V
Phase failure protection function	YES
Automatic and manual reset	YES
Temperature compensation	YES
Tripping indicator	YES
Test and stop push button	YES
Mounting type	Pulg in mounting
Frame protection degree	IP 20
Standards	IEC 60947-4-1 ,IEC 60947-5-1
Auxiliary contacts	
Contacts configuration	1NO+1NC
Rated current (A) AC-15 220V	2.73
Rated current (A) AC-15 380V	1.57

XUR2 Thermal overload relay

Contactor wiring

Contactor wiring			XUR2-32	XUR2-93
Cross section area of conductor mm ²	Main circuit	Single core or standard sire	4-10mm ²	4-35mm ²
		Wiring screw	M4	M10
	Auxiliary circuit	Single core or standard sire	0.5-25	0.5-25
		Wiring screw	M3.5	M3.5

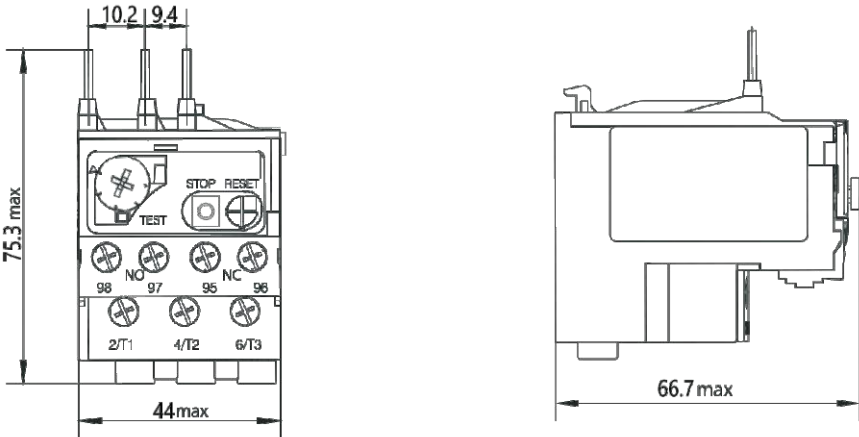
Frame	Rated current adjustable range (A)	Recommended fuse type		Matching for ac contactor (A)
		aM	gG	
XUR2-32	0.1-0.16	0.25	2	09 -32A
	0.16-0.25	0.5	2	09 -32A
	0.25-0.4	1	2	09 -32A
	0.4-0.63	1	2	09-32A
	0.63-1	2	4	09-32A
	1-1.6	2	4	09-32A
	1.25-2	4	6	09-32A
	1.6-2.5	4	6	09-32A
	2.5-4	6	10	09-32A
	4-6	8	16	09-32A
	5.5-8	12	20	09-32A
	7-10	12	20	09-32A
	9-13	16	25	09-32A
	12-18	20	35	09-32A
	17-25	25	50	32A
23-32	40	63	25-32A	

Frame	Rated current adjustable range (A)	Recommended fuse type		Matching for ac contactor (A)
		aM	gG	
XUR2-93	23-32	40	63	40A
	30-40	40	100	50A
	37-50	63	100	65A
	48-65	63	100	80A
	55-70	80	125	90A
	63-80	80	125	40-65A
	80-93	100	160	80-95A

XUR2 Thermal overload relay

Dimensions (mm)

XUR2-32



XUR2-93

